

EcoFlex



Domestic wood pellet boiler

CTC EcoFlex wood pellet boiler provides the same convenience of operation as an oil boiler but are Carbon Neutral

CTC EcoFlex is a highly efficient wood pellet boiler designed for ease of operation and maintenance. It is reliable, easy to install, clean and is simple to operate. With careful regulation of the wood pellet feed into the combustion chamber and controlled combustion the CTC EcoFlex wood pellet boiler can maintain a pre determined operating temperature. A triple pass heat exchanger provides excellent heat transfer resulting in boiler efficiencies of 92%.

CTC EcoFlex has a built-in microprocessor control, electric ignition, indoor and outdoor temperature sensors and a fully automatic pellet feed system. With two stage modulation the CTC EcoFlex can select the most appropriate output for the heating system. All functions and heating set points can be viewed and adjusted from the display panel located on the front of the boiler.

The EcoFlex is supplied with connections for both heating and hot water as standard providing maximum installation flexibility. Located in the front of the boiler an easy to access ash draw collects the small amount of ash produced from burning the pellets. Due to the design of the flue gas pathways and the lack of baffles to trap dust maintenance and cleaning of the boiler is minimised.

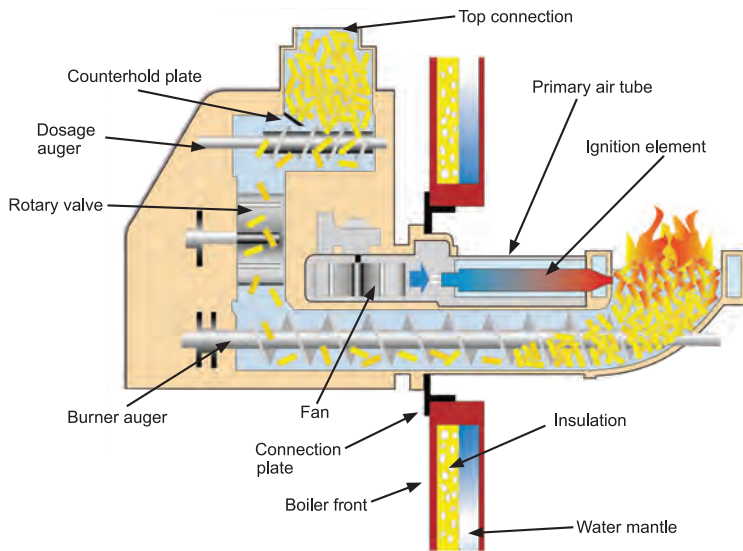


Key features

- Integrated energy efficient controls
- Triple pass heat exchanger designed for maximum energy efficiency
- Well insulated to minimise standing losses
- Separate heating and domestic hot water connections
- Designed for easy cleaning, installation and maintenance
- Automatic ignition
- Large sized ash bin minimises the need for frequent emptying
- Easy to install pellet hopper and auger accessory provide automated pellet feed system

EcoFlex

TECHNICAL DATA		EcoFlex
Electrical Data		
Supply		1 x 230V
IP Class		IPX1
Other Data		
Rated output	kW	14.6
Boiler efficiency	%	92
Output range	kW	5 to 15
Output settings Full/Part/Min	kW	15/9/0
Dimensions (H x W x D)	mm	1450 x 600 x 990
Boiler water content	L	150
Max. boiler operating pressure	bar	2.5
Max. boiler operating temperature	°C	110
Weight empty (excl. packing)	kg	265
Weight operating	kg	415



Delivery includes:

Outside and room sensors, Primary flow and return sensors, DHW storage tank sensor, Drain valve, Sweeping equipment

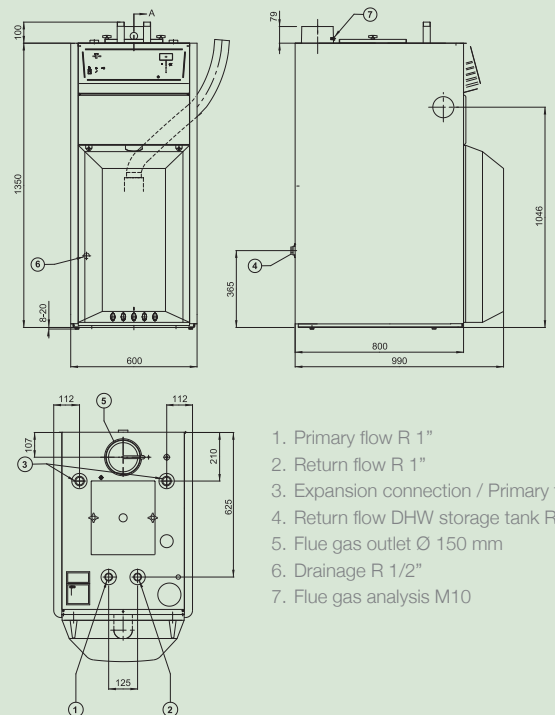
Accessories:

Additional sensors
Pellet hopper 400 litres
Pellet auger 1.5m long
Pellet auger 2.0m long
Flexible pellet tube feeder

Part Number:

583742308
11969701
913151001
913152001
913169001

Dimensional drawing of the CTC EcoFlex



CTC Enertech Group
Ten Acres,
Berry Hill Industrial Estate,
Droitwich Spa,
Worcestershire WR9 9AQ
Tel: 01905 791610 Fax: 01905 795829
Email: info@ctc-uk.com www.ctc-uk.com

